

Item No. O2Bxxxxxxxxxx

pascom O2xS Door fitting

Many combinations possible



The pascom O²xS Door fitting is compatible with many European lock standards. The different widths allow the use in all popular doors such as wood, steel and aluminium doors as well as doors with narrow frames having a backset of more than 25 mm.

The reader unit with communication electronics as well as the mechanics and power supply is located directly in the door handle.

A low battery status is signaled acoustically when actuated. Replacement of the battery is possible in an assembled condition by a simple tool.

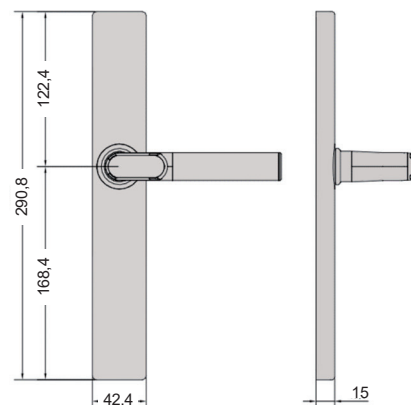
Technical specifications

Transponder:	Java Card/MIFARE ISO14443/13,56 MHz
Backset:	more than 25 mm
Power supply:	Battery 1 piece CR 123A 3V
Mounting location:	indoor, outdoor (IP66)
Operating temperature:	indoor: +5 °C to +55 °C outdoor: -25 °C to +65 °C
Storage temperature:	-40 °C to +65 °C
Casing:	stainless steel wall thickness: 1,2 mm
Prepared for pascom	FSM online module LAN

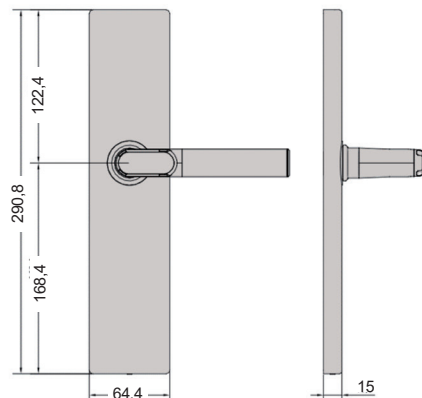
Versions*

- In narrow and wide version
- Forms of handles:
form L, form U square or form U round
- Handle directions:
outside right / inside left
outside left / inside right
- Version for indoor and outdoor (IP66 optional)
- Suitable for use in fire and smoke resistant doors (optional)

Door fitting narrow



Door fitting wide



Dimensions
in mm

* Prices and item no. vary depending on the design variant

Possible combinations

Elektronik außen Electronics outside	Mechanik innen Mechanics inside					Elektronik innen Electronics inside			
	+					+			
		+					+		
		+	+					+	
	+			+					+

Mechanical door handle



Mechanical door fitting

