

# pascom ceiling swivel arm

## Comfort in any position

From any position of the patient's bed, the TV can be operated comfortably and effortlessly according to the patient's needs.

Six hinges ensure that people with limited mobility can easily use the TV set.

The power and data cables are inside. This ensures optimum hygienic conditions. In order to prevent damage to these cables by turning them over, the range of rotation of the spring arm swivel hinge is limited to 320°.

When you care for patients, you can easily bring the swivel arm into the park position, so the TV is not in the way.

## Technical specifications:

**Construction:** 6-hinged swivel arm for wall mounting

**Maximum Load:** designed for loads up to 5 kg (Optional up to 21 kg)

**Payload:** Adjustable to the weight of the terminal without disassembly

Height stop can be adjusted

**Length extension:** 750 / 950 mm

**Length of the spring arms:** 800 mm

**Tilting range (adjustable):**

top: max. ca. 45°

down: max. ca. 50°

**cable completely inside**

**Terminal adapter:** VESA 70x70, rotatable / inclinable, with handle for terminal positioning



The swivel arm serves as a mount for the TV. Patients may not pull themselves up with it.

**Terminal guidance:** Exactly parallel guidance, the terminal remains straight in every position

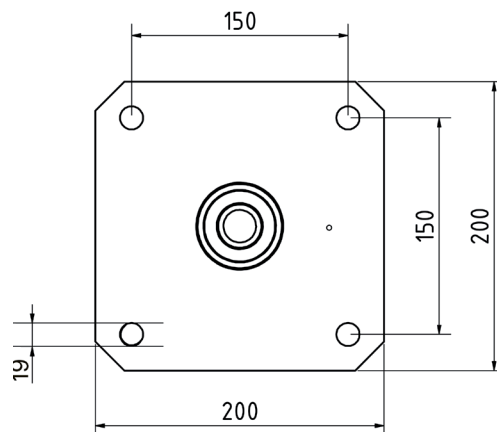
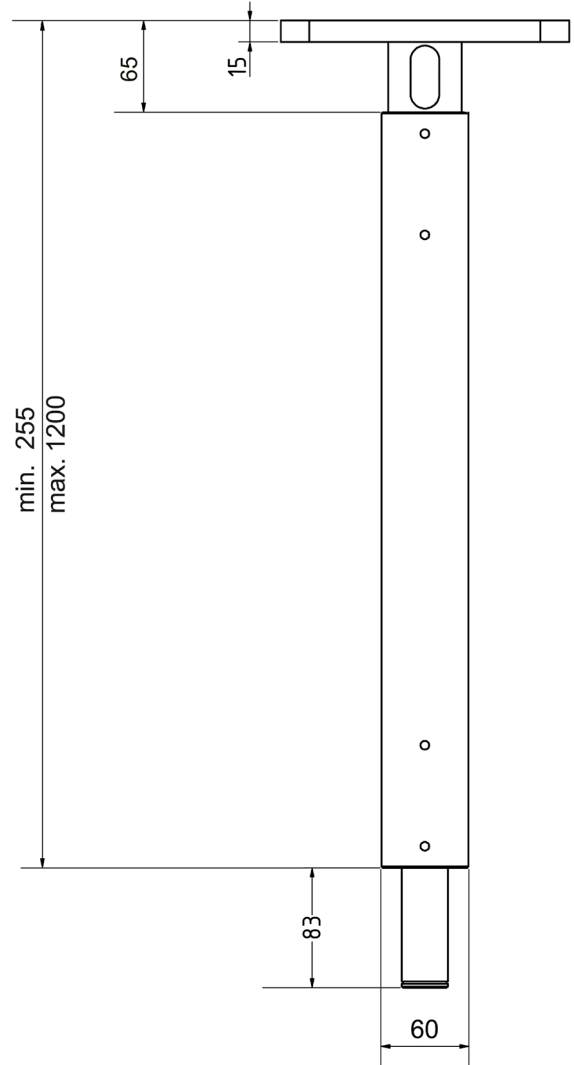
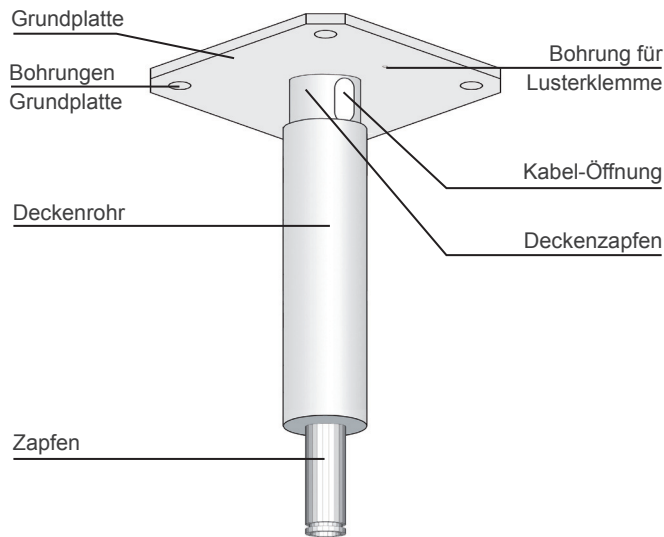
**Colour:** similar to RAL 9002 (other colours on demand)

**Coating:** Powder-coated

**Weight** (incl. terminal adapter): ca. 13.5 kg

# pascom ceiling bracket

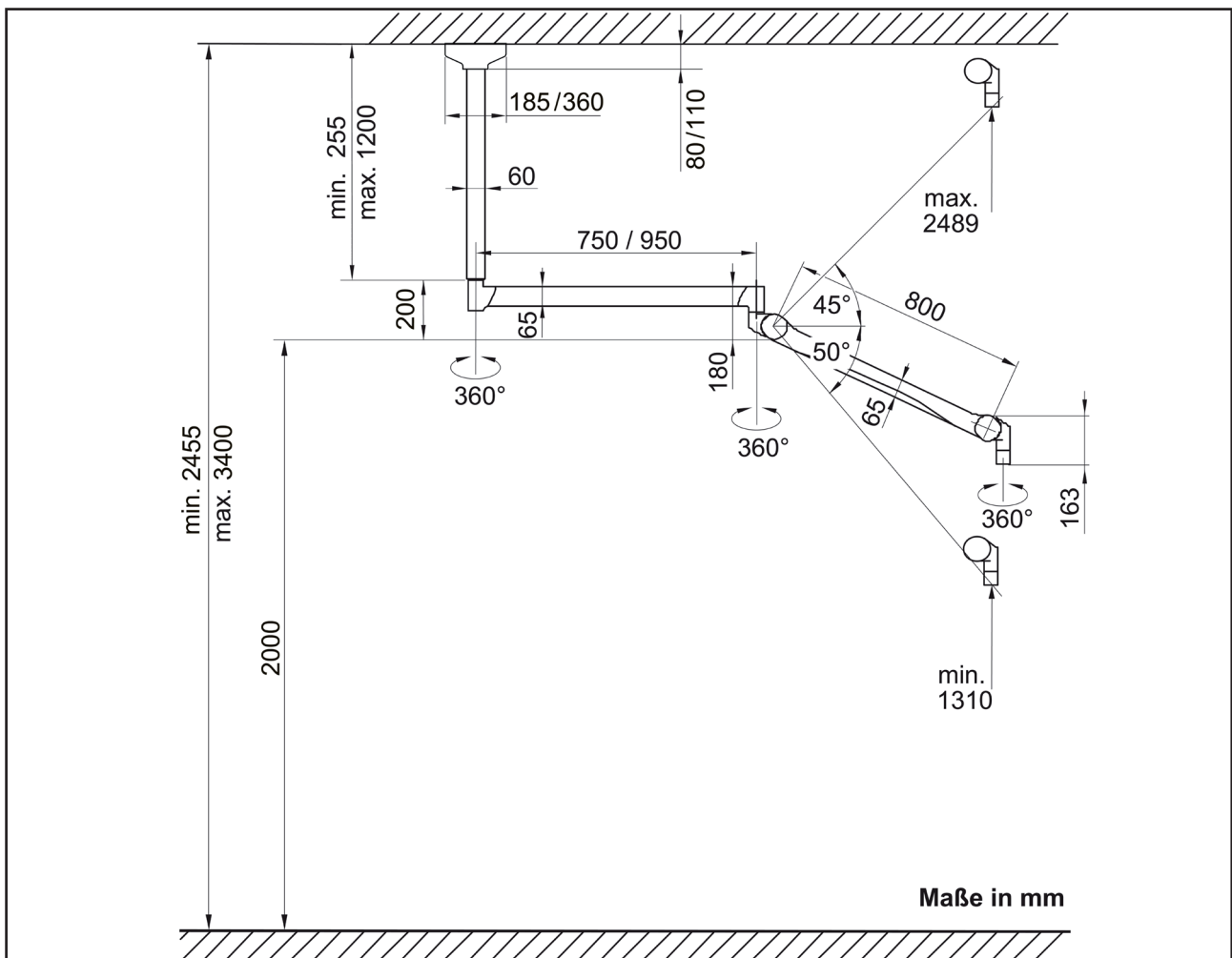
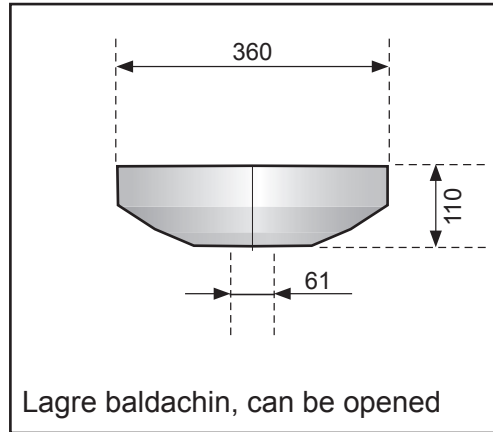
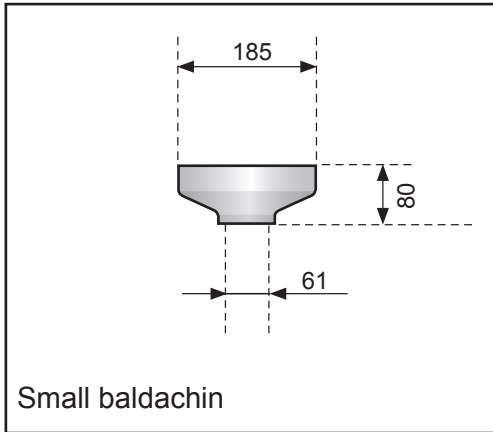
The ceiling bracket is bolted directly to the concrete ceiling and ensures the stable hold of the ceiling swivel arm. The cabling and electronics is thereby housed either in the subceiling or in the large bal-dachin (optional).



Maße in mm

Changes and errors reserved

# Baldachin for ceiling mount



Changes and errors reserved